



In-Line Deflagration Flame Arrester

Mod. 181 EN P



CE 477 Ex G IIB3

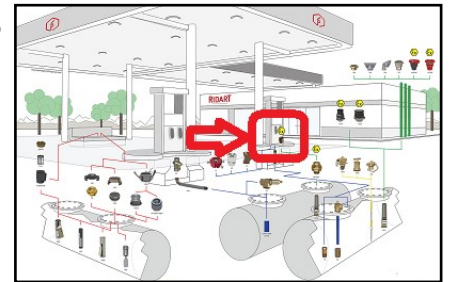
APPLICATION

It's a Protection System with ribbon coil: deflagration in-line flame arrester in according with Directive 2014/34/EU and harmonized standard EN ISO 16852:2016.

- Used for hydrocarbons or chemical pipeline.
- Stage I vapor recovery compliant.
- The Flame Arrester avoids propagation of fire into the piping.
- Surface Protection System is for all ATEX zone (0, 1 and 2).

The best performances allowed by the new regulation

- Max distance from the potential ignition is 50 pipe's diameter.
- Max operational pressure (relative) is 0,1 bar.



GAS & VAPOR COMPATIBILITY

Inflammable gases and vapours classification is necessary to correct use of flame arrester. UE-Type Examination Certificate EPT 18 ATEX 3053 X is for Explosion Group "IIB3" tested with Ethylene and compatible for all gas with MESG > 0.65 mm for example: Ammonia, Industrial methane, Blast-furnace gas, Carbon monoxide, Propane, Butane, Pentane, Esane, Eptane, Iso-octane, Decane, Benzene, Xilene, Cyclohexane, Acetone, Ethyl-methyl-ketone, Methyl acetate, Ethyl acetate, Normal propyl acetate, Normal butyl acetate, Amyl acetate, Chloroethylene, Methanol, Ethanol, Iso Butanol, Normal Butanol, Amyl alcohol and Ethyl nitrite. Use only for gas or vapor with MESG > 0.65 mm.

Burning rating BC=b, $t_{BT}=1$ min. Max operational temperature 60°C.

CHEMICAL SUITABILITY

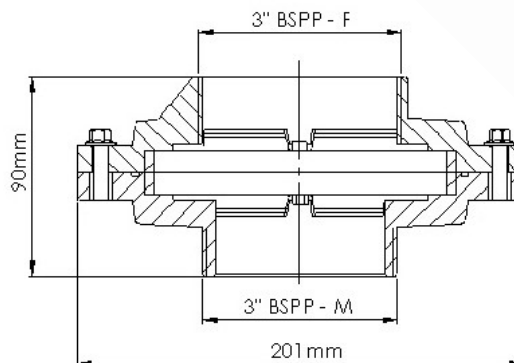
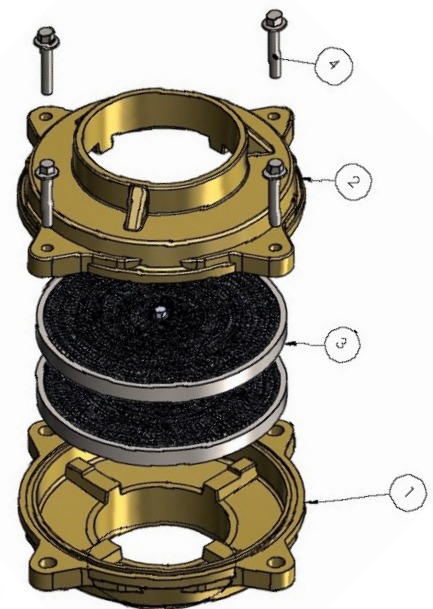
- Standard model is for traditional fuel without additives.

ON REQUEST:

- "PTFE" coated model is for special fuel, non-aggressive solvents or chemical products.

PRODUCT CODE	086855 EN P
PROTECTED SIDE	FEMALE THREAD
AIR FLOW l/min (50 mbar)	8000

#	PART	181 EN P	181 EN P PTFE
	CODE	086855 EN P	086855 ENP PTFE
1	MALE BODY	BRASS	BRASS + PTFE COATING
3	RIBBON COIL & SUPPORT	STAINLESS STEEL	
4	SCREWS	STAINLESS STEEL	
2	FEMALE BODY	BRASS	BRASS + PTFE COATING



RIDART s.r.l. via Adua, 17 - 21045 Gazzada Schianno (VA) ITALY P.IVA/C.F. IT 01454770122

www.ridart.it info@ridart.it +39 0332 463301

Product Certification, Declaration of Conformity, User Manual and Testing on: www.ridart.it/support

The Data and Images are not binding. We reserve the right to make changes without notice. Pressure & Flow Tolerances $\pm 20\%$.

INSTALLATION

- In-line flame arrester is for vertical or horizontal installation.
- Protection System is unidirectional, the safety side is the FEMALE thread.
- For correct installation follow the Directives and product User Manual.
- For the installation of flame arresters it is necessary to strictly comply with the L/D ratio (pipe length/pipe diameter) and insure that the distance between potential ignition sources and the flame arrester does not exceed the max ratio of 50 L/D that corresponds to explosion group IIA and IIB3 (NEC groups D to C) according to EN ISO 16852.
- Explosion Group is "IIB3" in accordance with EN ISO 16852 (MESG > 0.65 mm).
- Contact our technical department for custom application or maintenance by email to: quality@ridart.it.
- Product Certification, Declaration of Conformity and User Manuals are available on: www.ridart.it/support.






MAINTENANCE

- Always replace the product after fire or deflagration.
- In case of tampering warranty expires and safety protection is not guaranteed.

To choose the correct Flame Arrester, scan QRcode and fill in the form:



YOU MAY ALSO BE INTERESTED IN:

CODE	DESCRIPTION	
086910 EN P	In Line Flame Arrester Mod 180 EN P 2"	
085696 EN P SS	In Line Flame Arrester Mod 330 2" SS AISI 316	
182-25T EN P	In Line Flame Arrester Mod 182 EN P 1"+1" +1/4"	
425-150 EN P	In Line Flame Arrester Flanged Mod 425 EN P DN150	
197 EN P-35	Pressure Vacuum vent with End Of Line Deflagration Flame Arrester Mod. 197 EN P 2"	

RIDART s.r.l. via Adua, 17 - 21045 Gazzada Schianno (VA) ITALY P.IVA/C.F. IT 01454770122
www.ridart.it info@ridart.it +39 0332 463301

Product Certification, Declaration of Conformity, User Manual and Testing on: www.ridart.it/support
The Data and Images are not binding. We reserve the right to make changes without notice. Pressure & Flow Tolerances $\pm 20\%$.