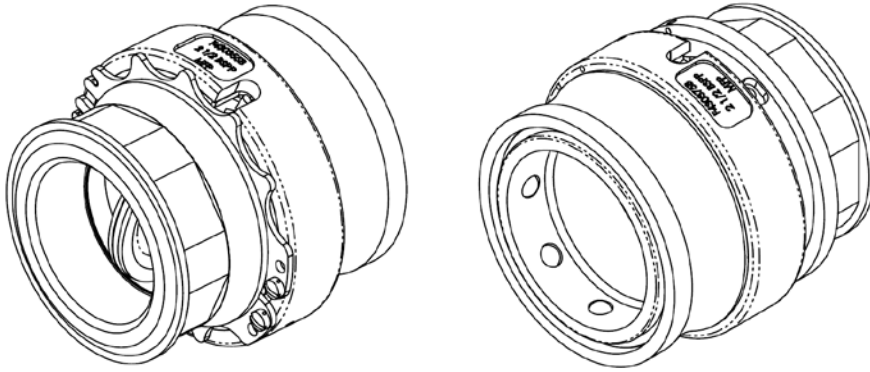


Fuelling products

# Dry Break Quick Disconnects

## F430355 and F430375 Series

### F430355 and F430375 Dry Break Quick Disconnects



The F430355 and F430375 Dry Break Quick Disconnects are designed for use with underwing aircraft fuelling nozzles. This new design allows for periodic checking of in-line strainers and other assembly components without the need to drain the fuel from the hose. Utilizing a butterfly design, the Dry Breaks have a very low pressure drop (see Figure 1).

### Dry Break Modifications

Modification Code	Description
A	2.5" NPT Thread
B	2.5" BSPP Thread

### Key features

- Designed to SAE specification AS5877
- Available with dual locking feature or without
- Available in 2.5" NPT and 2.5" BSPP options
- For use with F582E
- For use with all single point nozzles (F116, F117, and F145).
- Allows for hydrostatic testing of the hose without damaging the nozzle
- Seals easily replaced
- Maximum operating pressure - (300 psig), (20.68 bar)
- Operating temperature range - (- 28 to 165 F), (- 33 to 74C)

### Contact

**Meggitt Control Systems**  
12838 Saticoy St  
North Hollywood  
California 91605-3505  
USA

## Meggitt Control Systems

Our product competencies & services:

Aerospace valves | Thermal management solutions | Environmental control systems | Electro-mechanical products

Ground fuelling products | Energy products | Aftermarket services

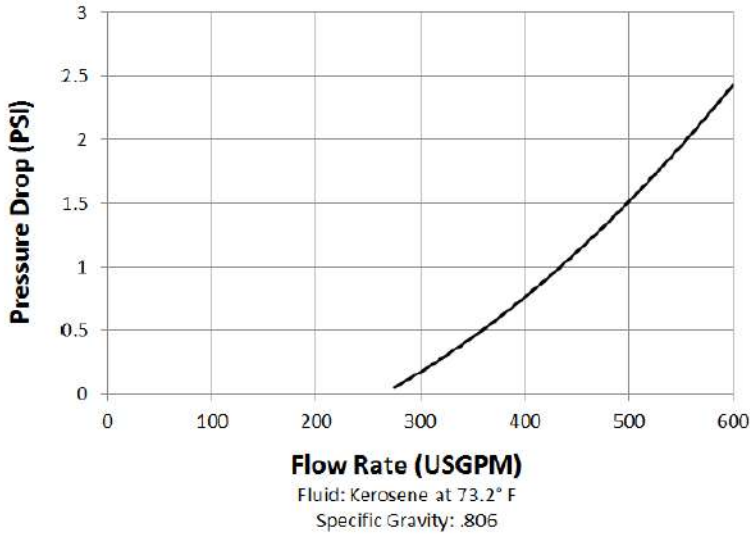
**MEGGITT**  
smart engineering for  
extreme environments

Fuelling products

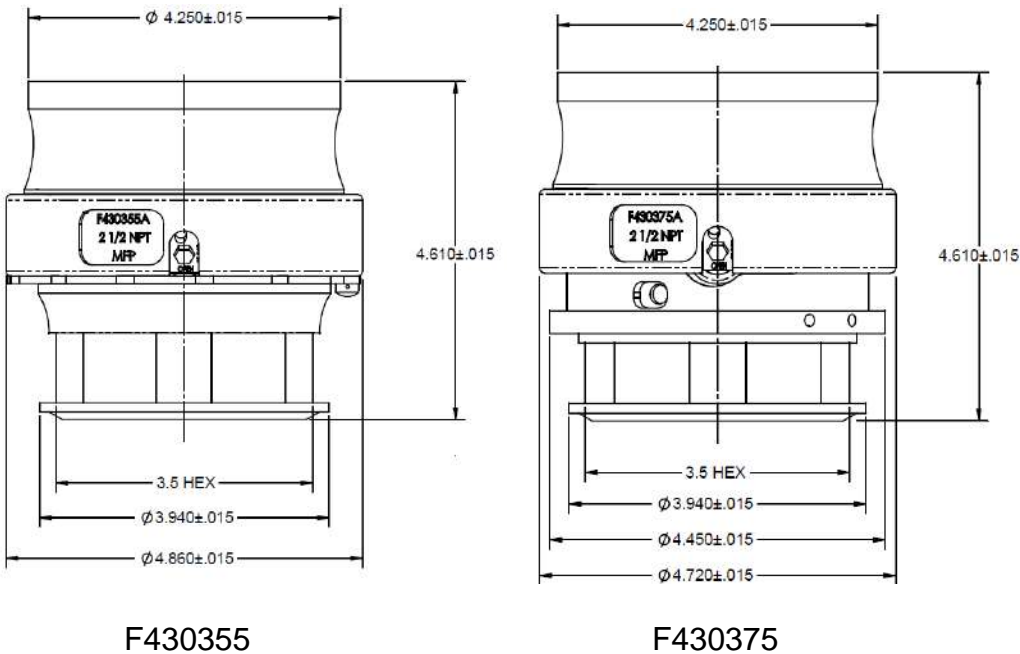
# Dry Break Quick Disconnects

## F430355 and F430375 Series

### Key Dimensions and Flow Data



**FIGURE 1: PRESSURE DROP**



### Contact

**Meggitt Control Systems**  
12838 Saticoy St  
North Hollywood  
California 91605-3505  
USA  
Telephone: (818) 765-8160  
FAX: (818) 759-2194  
www.meggitt.com

### Meggitt Control Systems

Our product competencies & services:  
Aerospace valves | Thermal management solutions | Environmental control systems | Electro-mechanical products  
Ground fuelling products | Energy products | Aftermarket services

**MEGGITT**  
smart engineering for  
extreme environments