

Fuelling products

International standard flange adapters

F417, F418, F419, F421, F426, F444 and F445

International standard flange adapters



Meggitt offers a wide variety of configurations and sizes of highly reliable bottom loading adapters. These units with product selection may be paired with an inline shutoff valve to provide the connection to a hydrant coupler. Variations less productselection will mate any standard underwing nozzle.

Adapters incorporating the 2.5-inch International standard three-lug bayonet flange are available with 2.5-inch female pipe threads, or 2.5, 3 or 4-inch 150 pound ASA flanges. These adapters with six position product selection mate with Meggitt's 2.5-inch F211 hydrant coupler or without product selection mate Meggitt's 2.5-inch F116, F117 or F120 underwing nozzles.

Meggitt also offers the F426, F444, and F445 variable configuration adapter without product selection in accordance with MS24484-2 to mate D-1 type nozzles (Meggitt P/N F1116ES and ER or F121 and F121 A).

See the modification section of this catalog for various options to the part number listed above.

Key Features

- Main bodies of high strength aluminum alloy not recommended for use on hydrant valves
- 2.5-inch bayonet flanges of high strength manganese bronze (not soft brass) for longer life
- Six position product selection available on all units except F426, F444 and F445
- One-piece bonded poppet has longer life
- Plastic dust cover provided, except on F426
- Pressure tight cap (F425) available for use on F426, F444 and F445
- Pressure relief valve available in poppets, except on F426, F444 and F445

Additional Features

- The F418 adapter is also available with a four-inch TTMA flange
- The F445 adapter has no product retention body and a four-inch TTMA flange
- The F444 has a three-inch TTMA flange with two pick-up ports in the body

Meggitt Control Systems

Our product competencies & services:
Aerospace valves | Thermal management solutions | Environmental control systems | Electro-mechanical products
Ground fuelling products | Energy products | Aftermarket services

MEGGITT
smart engineering for
extreme environments

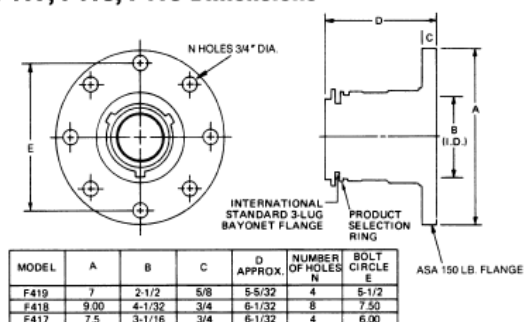
Fuelling products

International standard flange adapters

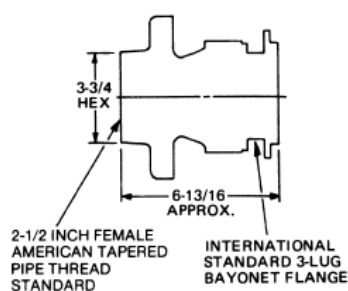
F417, F418, F419, F421, F426, F444 and F445

Key Dimensions

F417, F418, F419 Dimensions

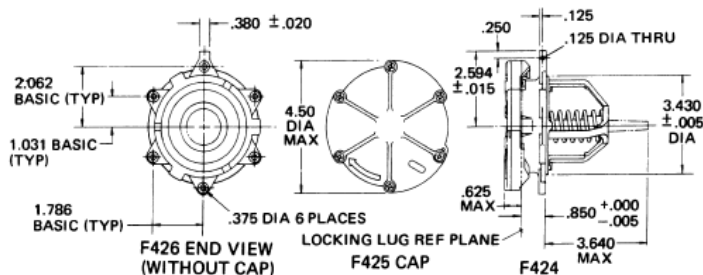


F421 Dimensions

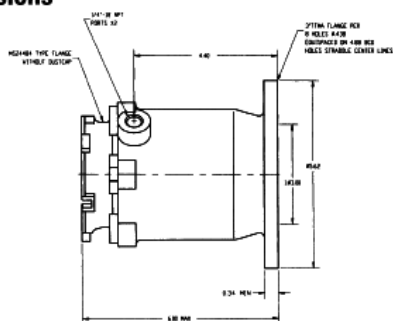


F426 Dimensions

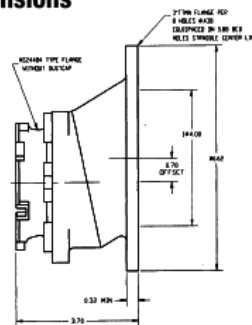
The F424 Adapter Assembly consists of Whittaker F426 adapter (MS24484-2), mounting packing, and pressure tight F425 sealing cap.



F444 Dimensions



F445 Dimensions



Contact

Meggitt North Hollywood

12838 Saticoy Street
North Hollywood
California 91605-3505
USA

Tel: (818) 765-8160
Fax: (818) 759-2194

www.meggitt.com

Meggitt Control Systems

Our product competencies & services:
Aerospace valves | Thermal management solutions | Environmental control systems | Electro-mechanical products
Ground fuelling products | Energy products | Aftermarket services

MEGGITT
smart engineering for
extreme environments