



Flanged Gate Valve

Mod. 431-00, 431-01 & 431-02



APPLICATION

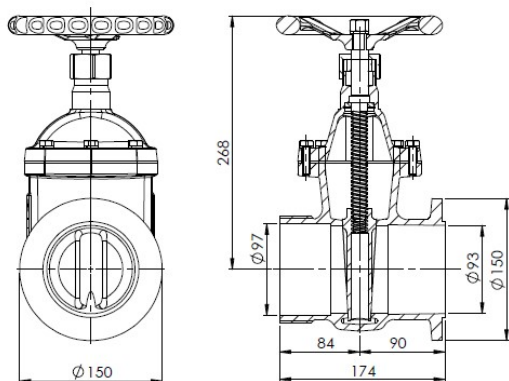
Flanged gate cast iron valve with cassoni connection.

COMPATIBILITY

New model in cast iron compatible also with bitumen.



CE Ex II 3 G



CODE	HOLES	CENTER LINE	MAX TEMPERATURE
431-00	6 HOLES	128 mm	400°
431-01	8 HOLES	130 mm	400°
431-02	NO HOLES	-	400°

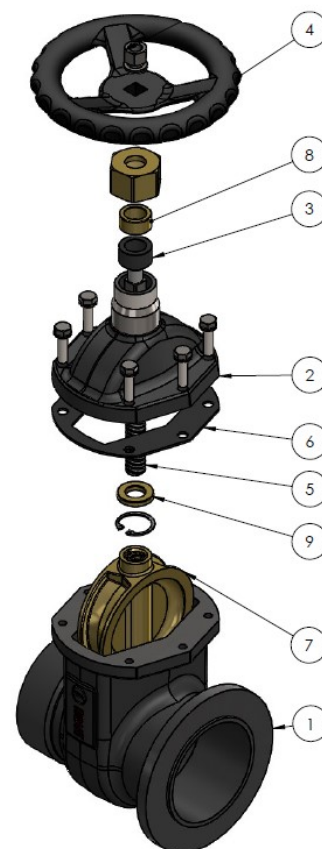
POS.	CODE	Q.TY	DESCRIPTION	MATERIAL
1	431-00,01,02	1	BODY VALVE	CAST IRON
2	431-09-01	1	BONNET	CAST IRON
3	431-04	1	STEM GASKET	PTFE + CARBON
4	431-07	1	HANDWHEEL	CARBON STEEL
5	431-08	1	STEM	AISI 316
6	431-10	1	BODY SEAL	PTFE+ CARBON
7	431-11	1	GATE	BRASS
8	431-12	1	SPACER RING	BRASS
9	431-13-1	1	RING	BRASS

INSTALLATION

- Easy installation, for the correct execution refer to the Directives and the User Manual.
- Contact our technical department for custom application or maintenance by email to: quality@ridart.it
- Product Certification, Declaration of Conformity and User Manual are available on: www.ridart.it/support

MAINTENANCE

- Spare parts are available (valve body excluded).
- Always replace the product after fire or deflagration.
- In case of tampering warranty expires and safety protection is not guaranteed.



RIDART s.r.l. via Adua, 17 - 21045 Gazzada Schianno (VA) ITALY P.IVA/C.F. IT 01454770122
www.ridart.it info@ridart.it +39 0332 463301

Product Certification, Declaration of Conformity, User Manual and Testing on: www.ridart.it/support
 The Data and Images are not binding. We reserve the right to make changes without notice. Pressure & Flow Tolerances $\pm 20\%$.